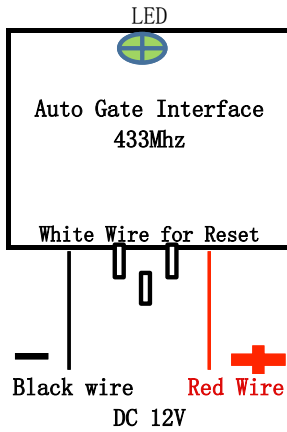


# Auto Gate Interface (433Mhz) Installation Manual

How to confirm Auto Gate Interface with or without 433Mhz frequency.

Option A : With 433Mhz frequency in the auto gate interface.

1. Connect DC 12V power supply to Auto Gate Interface.
2. LED turn to Red > connect white wire for reset, LED will turn to Green and wait for 1 to 5 second the LED will blink to Red for 1 second and back to Green > release the reset white wire > ready for new auto gate remote control program > press the remote control button near to the LED area and the LED will turn from Green to Red and the program have confirm.

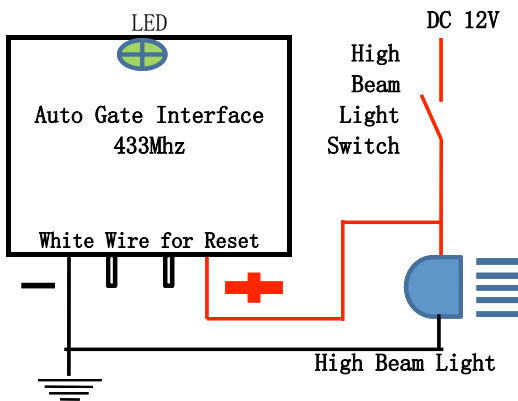


Option B : Without 433Mhz frequency in the auto gate interface.

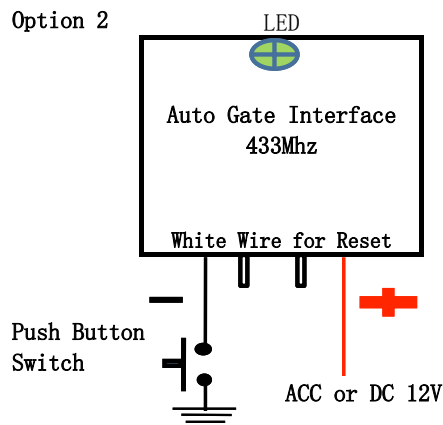
1. Connect DC 12V power supply to Auto Gate Interface.
2. LED turn to Green > ready for new auto gate remote control program > press the remote control button near to the LED area and the LED will turn from Green to Red and the program have confirm.

## How to install Auto Gate Interface

Option 1

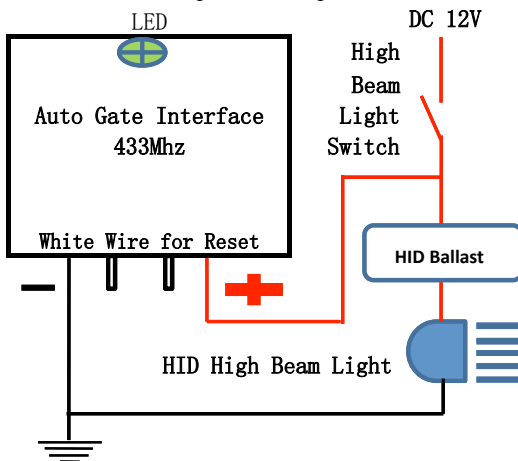


Option 2



Option 3

For Vehicle install HID High Beam Light



Option 4

For TOYOTA & other vehicle

